

# Instructions

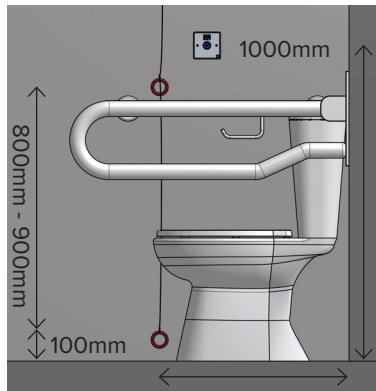
# Crisis Assist Call WC Kit

The Crisis Assist Call WC components are not supplied with back-boxes as they can be used with any "MK" style single back-box over 25mm deep.

To accept cable glands the back-box needs to be 35mm deep including metal clad surface types and plastic plasterboard liner boxes. When flush mounting use the back-box manufacturers recommended cut out.

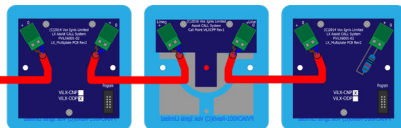
The units should be mounted as shown to comply with the requirements of Building Regulations Document M (Access for the Disabled) and BS8300:2009. The pull cord should be positioned behind the handrail, level with the front of the toilet, so the bottom ring is 100mm from the floor. The cancel plate should be placed above the handrail 1000mm up on the wall side of the cubical.

If wiring from a disabled refuge point the cable must be fire rated as this is an extension of the EVCS circuit, otherwise any 1mm CSA cable can be used up-to 500m. The plates can be wired in any order as there is no in or out, but correct polarity must be observed. The 10K end of line should be fitted in the last device.



Level with Toilet Front

## Connections



+44 (0)1329 835024

[technical@eurofyre.co.uk](mailto:technical@eurofyre.co.uk)

[www.eurofyre.co.uk](http://www.eurofyre.co.uk)



Manufactured in the UK

Eurofyre Limited, Unit C1 Knowle Village Business Park, Mayles Lane, Wickham, Hampshire, PO17 5DY, UK